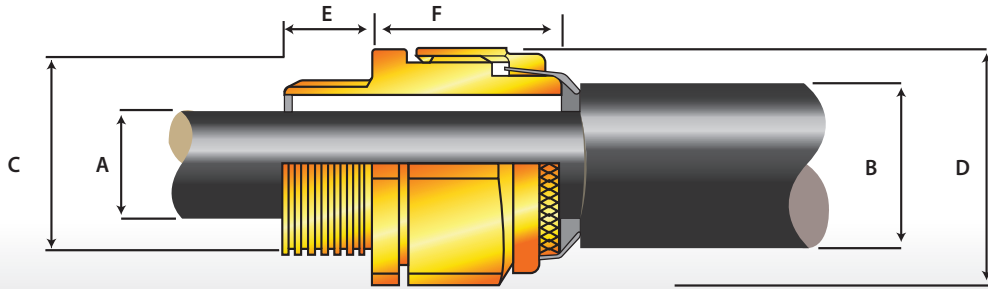


## BW CABLE GLAND

- » BW type brass gland, for indoor use with all kind of Steel Wire Armoured (SWA) cable and Aluminium Wire Armoured (AWA) cable.
- » Provides mechanical cable retention & electrical continuity via armoured wire termination.
- » Permanently crimped, low impedance earth termination.
- » Cable gland complete kit includes: brass gland, locknut, earth tag and shroud.
- » Sizes M25 and lower, will contain two kits and sizes M32 and above will include one kit.



## SPECIFICATIONS

<b>Threading Standard</b>	Metric BS 6121:2005
<b>Ingress Protection Rating</b>	IP 2X
<b>Cable Type</b>	SWA and AWA
<b>Protection Material</b>	Brass CuZn39Pb3 (CW614N) to EN12168
<b>Continuous Operating Temp</b>	- 20° C to + 130° C
<b>Standard Accessories</b>	Earth Tag, Locknut
<b>Optional</b>	PVC or LSOH Shroud Brass Nickel Plating

## TECHNICAL AND ORDERING DATA

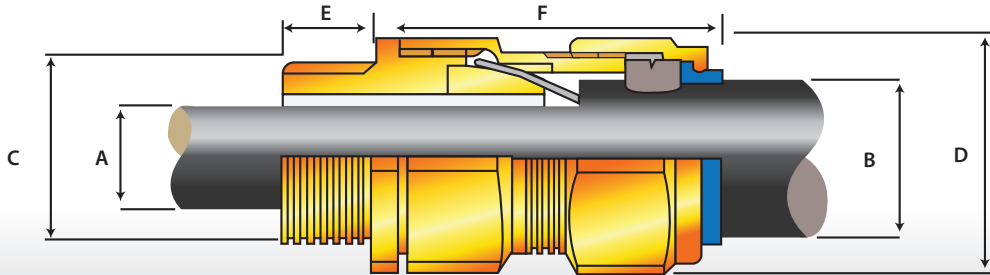
	Cable Gland Size	Cable Bedding Diameter 'A'	Cable Overall Diameter 'B'	Armour Range		Across Flat 'D'	Across Corners 'D'	Entry Thread 'C'	"Minimum Thread Length 'E'	Nominal Protrusion Length 'F'
		Max	Max	Min	Max	Max	Max			
BW20S:SCUL	20S	11.70	16.10	0.90	1.25	22.00	24.00	M20	10	18
BW20L:SCUL	20	14.00	21.10	0.90	1.25	28.00	30.50	M20	10	22
BW25:SCUL	25	20.00	27.40	1.25	1.60	33.00	36.00	M25	10	26
BW32:SCUL	32	26.30	34.40	1.60	2.00	41.00	44.50	M32	10	28
BW40:SCUL	40	32.20	42.40	1.60	2.00	50.00	56.30	M40	10	30
BW50S:SCUL	50S	38.20	50.10	2.00	2.50	57.10	62.50	M50	15	30
BW50L:SCUL	50	44.10	55.70	2.00	2.50	65.00	70.00	M50	15	32
BW63S:SCUL	63S	50.00	62.40	2.50	2.50	76.00	82.50	M63	15	38
BW63L:SCUL	63	56.00	68.20	2.50	2.50	80.00	85.70	M63	15	38
BW75S:SCUL	75S	62.00	76.80	2.50	2.50	90.00	98.70	M75	15	40
BW75L:SCUL	75	68.00	82.90	2.50	3.15	95.00	103.70	M75	15	40

- » Dimensions are displayed in millimeters unless otherwise stated.
- » Photographs are not a true representation of the product above.

**Disclaimer:** The dimensions provided are for guidance only and Simplex Cables reserves the right to change these without prior notification. For any critical application please contact the sales office to check the latest data.

## CW CABLE GLAND

- » CW type brass cable gland for use with Steel Wire Armoured Cable (SWA).
- » Single compression gland, providing mechanical cable retention and electrical continuity via armoured wire termination. Environmental seal on the outer sheath to IP 66.
- » Controlled outer load retention seal.
- » Cable gland complete kit includes: brass gland, locknut, earth tag and shroud.
- » Sizes M25 and lower, will contain two kits and sizes M32 and above will include one kit.



## SPECIFICATIONS

<b>Threading Standard</b>	Metric BS 6121:2005, EN 62444:2013
<b>Ingress Protection Rating</b>	IP66
<b>Cable Type</b>	Steel Wire Armor (SWA)
<b>Protection Material</b>	Brass CuZn39Pb3 (CW614N) to EN12168
<b>Continuous Operating Temp</b>	- 20° C to + 130° C
<b>Standard Accessories</b>	Earth Tag, Locknut, Entry Thread Seal
<b>Optional</b>	PVC or LSOH Shroud Brass Nickel Plating

## TECHNICAL AND ORDERING DATA

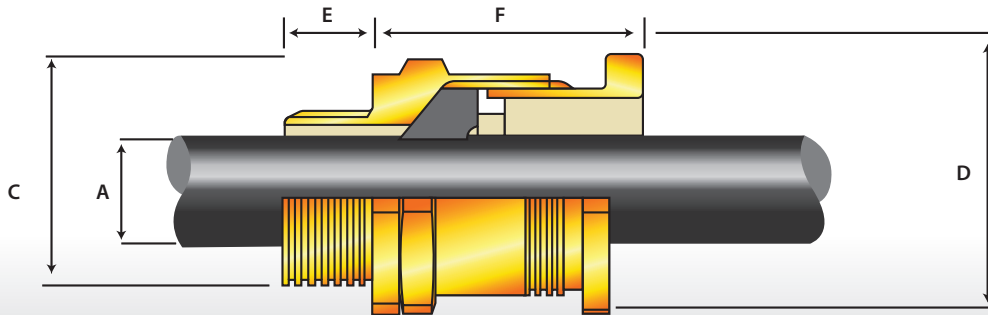
Part #	Cable Gland Size	Cable Overall Bedding Cable Diameter 'A'	Overall Cable Diameter 'B'		Armour Range		Across Flat 'D'	Across Corners 'D'	Entry Thread 'C'	Minimum Thread Length 'E'	Nominal Protrusion Length 'F'
			Min	Max	Min	Max					
CW20S16:SCUL	20S/16	8.70	6.10	11.50	0.90	1.00	24.00	26.60	M20	10	43
CW20S:SCUL	20S	11.70	9.50	15.90	0.90	1.25	24.00	26.60	M20	10	43
CW20L:SCUL	20	14.00	12.50	20.90	0.90	1.25	30.50	33.30	M20	10	50
CW25:SCUL	25	20.00	18.20	26.20	1.25	1.60	36.00	40.00	M25	10	55
CW32:SCUL	32	26.30	23.70	33.90	1.60	2.00	46.00	51.00	M32	10	55
CW40:SCUL	40	32.20	27.90	40.40	1.60	2.00	55.00	61.00	M40	10	55
CW50S:SCUL	50S	38.20	35.50	46.70	2.00	2.50	61.00	67.00	M50	15	56
CW50L:SCUL	50	44.10	40.40	53.10	2.00	2.50	70.10	76.00	M50	15	70
CW63S:SCUL	63S	50.00	45.60	59.40	2.00	2.50	76.00	82.20	M63	15	70
CW63L:SCUL	63	56.00	54.60	65.90	2.00	2.50	80.00	86.00	M63	15	80
CW75S:SCUL	75S	62.00	59.00	72.10	2.00	2.50	90.00	99.00	M75	15	81
CW75L:SCUL	75	68.00	66.70	78.50	2.00	2.50	100.00	109.00	M75	15	96

- » Dimensions are displayed in millimeters unless otherwise stated.
- » Photographs are not a true representation of the product above.

**Disclaimer:** The dimensions provided are for guidance only and Simplex Cables reserves the right to change these without prior notification. For any critical application please contact the sales office to check the latest data.

## A2 CABLE GLAND

- » A2 type brass cable gland for use with all types of unarmoured cable.
- » Single compression gland, with displacement type seal providing mechanical cable retention and an environmental seal on outer sheath to IP-66, 67 and 68.
- » Cable gland complete kit includes: brass gland, locknut and shroud.
- » Sizes M25 and lower, will contain two kits and sizes M32 and above will include one kit.



### SPECIFICATIONS

<b>Threading Standard</b>	Metric
<b>Ingress Protection Rating</b>	BS 6121:2005, EN 62444:2013
<b>Cable Type</b>	IP66, 67 and 68
<b>Protection Material</b>	Unarmoured
<b>Continuous Operating Temp</b>	Brass CuZn39Pb3 (CW614N) to EN12168
<b>Standard Accessories</b>	- 20° C to + 130° C
<b>Optional</b>	Locknut, Entry Thread Seal
	PVC or LSOH Shroud
	Brass Nickel Plating

### TECHNICAL AND ORDERING DATA

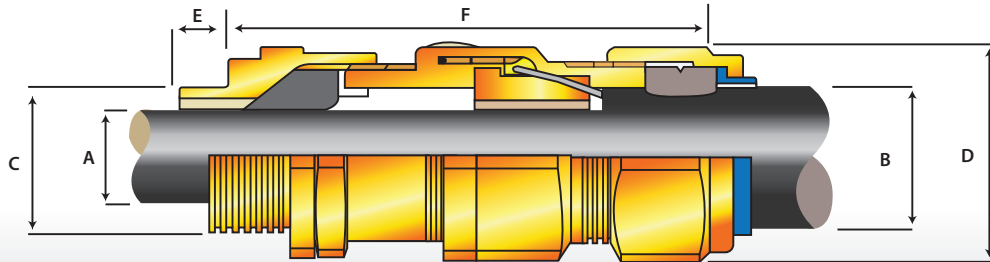
Part #	Cable Gland Size	Cable Overall Bedding Cable Diameter 'A';B;		Across Flat 'D'	Across Corners 'D'	Entry Thread 'C'		Minimum Thread Length 'E'	Nominal Protrusion Length 'F'
		Min	Max	Max	Max	Metric	NPT		
A220S16:SCUL	20S/16	3.10	8.70	24.00	26.60	M20	1/2"	10	21
A220S:SCUL	20S	6.10	11.70	24.00	26.60	M20	1/2"	10	21
A220L:SCUL	20	6.50	14.00	27.00	29.00	M20	1/2"	10	24
A225:SCUL	25	11.10	20.00	36.00	39.90	M25	3/4"	10	26
A232:SCUL	32	17.00	26.30	41.00	45.50	M32	1"	10	27
A240:SCUL	40	23.50	32.20	50.00	54.60	M40	1 1/4"	10	28
A250S:SCUL	50S	31.00	38.20	55.00	59.00	M50	1 1/2"	15	29
A250L:SCUL	50	35.60	44.10	60.00	65.40	M50	2"	15	30
A263S:SCUL	63S	41.50	50.00	70.00	76.00	M63	2"	15	30
A263L:SCUL	63	47.20	56.00	76.00	82.30	M63	2 1/2"	15	30
A275S:SCUL	75S	54.00	62.00	85.00	92.50	M75	2 1/2"	15	32
A275L:SCUL	75	61.10	68.00	85.00	92.50	M75	3"	15	32

- » Dimensions are displayed in millimeters unless otherwise stated.
- » Photographs are not a true representation of the product above.

**Disclaimer:** The dimensions provided are for guidance only and Simplex Cables reserves the right to change these without prior notification. For any critical application please contact the sales office to check the latest data.

## E1W CABLE GLAND

- » E1W type brass cable gland for use with all types of armoured cables.
- » Double compression gland, providing mechanical cable retention and electric continuity via armoured wire termination.
- » Environmental seal on the outer sheath to IP 66.
- » Inner seal provides grip to inner layer of cable and secures it against self loosening.
- » Cable gland complete kit includes: brass gland, locknut, earth tag and shroud.
- » Sizes M25 and lower, will contain two kits and sizes M32 and above will include one kit.



## SPECIFICATIONS

<b>Threading Standard</b>	Metric
<b>Ingress Protection Rating</b>	BS 6121:2005, EN 62444:2013 IP66
<b>Cable Type</b>	All types of armoured cables
<b>Protection Material</b>	Brass CuZn39Pb3 (CW614N) to EN12168
<b>Continuous Operating Temp</b>	- 20° C to + 130° C
<b>Standard Accessories</b>	Earth Tag, Locknut, Entry Thread Seal
<b>Optional</b>	PVC or LS0H Shroud Brass Nickel Plating

## TECHNICAL AND ORDERING DATA

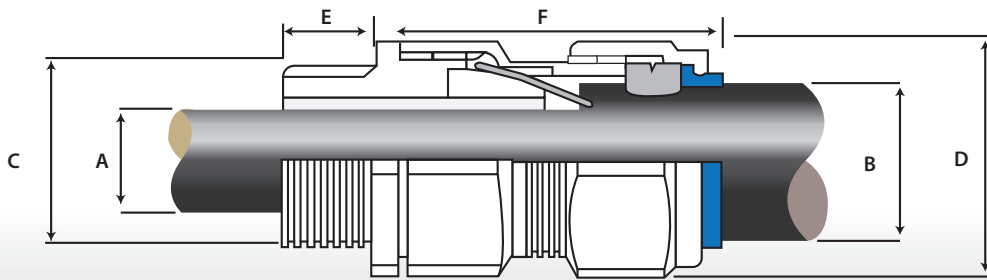
Part #	Cable Gland Size	Cable Overall Bedding Cable Diameter 'A'		Overall Cable Diameter 'b'		Armour Range		Across Flat 'D'	Across Corners 'D'	Entry Thread 'C'		"Minimum Thread Length 'E'"	Nominal Protrusion Length 'F'
		Min	Max	Min	Max	Min	Max	Max	Max	Metric	NPT		
E1W20S16:SCUL	20S/16	3.10	8.70	6.10	11.50	0.90	1.00	24.00	26.60	M20	1/2"	10	63
E1W20S:SCUL	20S	6.10	11.70	9.50	15.90	0.90	1.25	24.00	26.00	M20	1/2"	10	63
E1W20L:SCUL	20	6.50	14.00	12.50	20.90	0.90	1.25	30.50	33.30	M20	1/2"	10	67
E1W25:SCUL	25	11.10	20.00	18.20	26.20	1.25	1.60	37.50	40.50	M25	3/4"	10	78
E1W32:SCUL	32	17.00	26.30	23.70	33.90	1.60	2.00	46.00	51.00	M32	1"	10	78
E1W40:SCUL	40	22.00	32.20	27.90	40.40	1.60	2.00	55.00	61.00	M40	1 1/4"	10	83
E1W50S:SCUL	50S	29.50	38.20	35.50	46.70	2.00	2.50	61.00	66.50	M50	1 1/2"	15	78
E1W50L:SCUL	50	35.60	44.10	40.40	53.10	2.00	2.50	70.10	77.00	M50	2"	15	81
E1W63S:SCUL	63S	40.10	50.00	45.60	59.40	2.00	2.50	75.00	83.20	M63	2"	15	93
E1W63L:SCUL	63	47.20	56.00	54.60	65.90	2.00	2.50	80.00	88.00	M63	2 1/2"	15	95
E1W75S:SCUL	75S	52.80	62.00	59.00	72.10	2.00	2.50	89.00	101.60	M75	2 1/2"	15	103
E1W75L:SCUL	75	59.10	68.00	66.70	78.50	2.00	2.50	99.00	111.10	M75	3"	15	110

- » Dimensions are displayed in millimeters unless otherwise stated.
- » Photographs are not a true representation of the product above.

**Disclaimer:** The dimensions provided are for guidance only and Simplex Cables reserves the right to change these without prior notification. For any critical application please contact the sales office to check the latest data.

## CW ALUMINUM CABLE GLAND

- » CW type aluminium cable gland for use with Aluminium Wire Armoured Cable (AWA).
- » Single compression gland providing mechanical cable retention and electrical continuity via armoured wire termination.
- » Environmental seal on the outer sheath to IP 66.
- » Controlled outer load retention seal.
- » Environmental friendly, aluminium alloy used for extra strength & performance.
- » Cable gland kit includes: aluminium gland, locknut, earth tag and shroud.



### SPECIFICATIONS

<b>Threading Standard</b>	Metric BS 6121:2005, EN 62444:2013
<b>Ingress Protection Rating</b>	IP66
<b>Cable Type</b>	Aluminium Wire Armoured (AWA)
<b>Protection Material</b>	6082 Extruded Aluminium Alloy
<b>Continuous Operating Temp</b>	-20° C to +130° C
<b>Standard Accessories</b>	Earth Tag, Locknut, Entry Thread Seal
<b>Optional</b>	PVC or LSOH Shroud

### TECHNICAL AND ORDERING DATA

Part #	Cable Gland Size	Cable Bedding Diameter 'A'	Overall Cable Diameter 'B'			Armour Range		Across Flat 'D'	Across Corners 'D'	"Minimum Thread Length 'E'	Nominal Protrusion Length 'F'
			Max	Min	Max	Min	Max				
ALCW50S:SCUL	50S	38.20	35.20	46.70	2.00	2.50	60.00	66.50	15	56	
ALCW50L:SCUL	50	44.10	40.40	53.10	2.00	2.50	70.10	78.60	15	70	

- » Dimensions are displayed in millimeters unless otherwise stated.
- » Photographs are not a true representation of the product above.

**Disclaimer:** The dimensions provided are for guidance only and Simplex Cables reserves the right to change these without prior notification. For any critical application please contact the sales office to check the latest data.