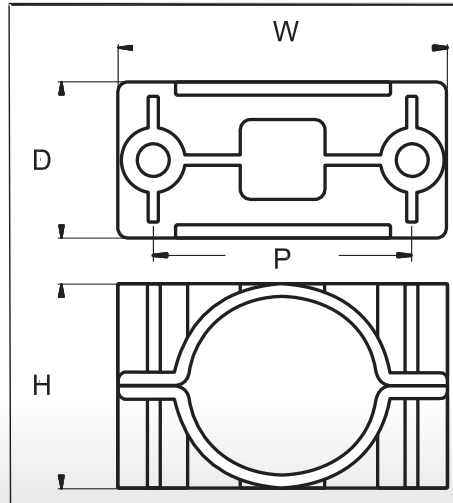


## ALUMINUM DOUBLE BOLT CABLE CLEAT

- » Two bolt fixing type design
- » Suitable for use with cables from diameter 51mm to 114mm
- » Plain finish - for indoor dry normal industrial use or outdoor unpolluted areas.
- » Epoxy coated for more hostile conditions.



### SPECIFICATIONS

Cable Type  
Material  
Continuous Operating Temperature  
Current Rating

Designed for all types of cables  
Aluminium  
- 60° C to + 100° C  
Recommended above 1KVA

### TECHNICAL AND ORDERING DATA

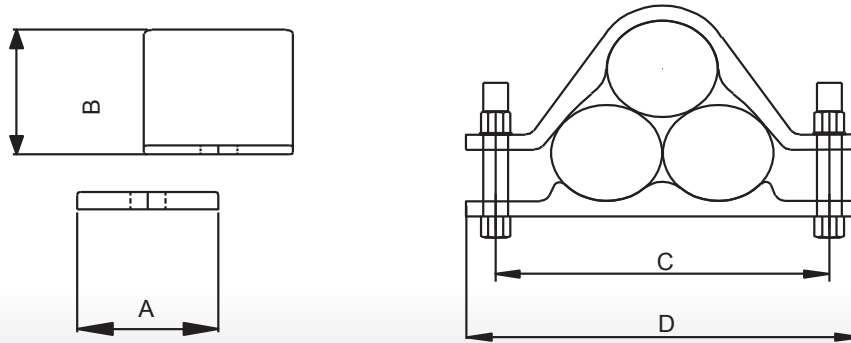
Part #	Cable Diameter Range	Cleat Details				Fixing Hole
		W	H	D	P	
ATC:51-57	51-57	96	68	59	76	M10
ATC:57-64	57-64	6	75	49	76	M10
ATC:64-70	64-70	96	84	64	118	M10
ATC:70-76	70-76	134	90	64	114	M10
ATC:76-83	76-83	142	96	64	114	M12
ATC:83-89	83-89	142	102	64	114	M12
ATC:89-95	89-95	154	114	64	114	M12
ATC:95-101	95-101	154	120	76	126	M12
ATC:101-108	101-108	169	134	76	140	M12
ATC:108-114	108-114	169	140	76	149	M12

- » Dimensions are displayed in millimeters unless otherwise stated.
- » Photographs are not a true representation of the product above.

**Disclaimer:** The dimensions provided are for guidance only and Simplex Cables reserves the right to change these without prior notification. For any critical application please contact the sales office to check the latest data.

# ALUMINUM TREFOIL CABLE CLEAT

- » Suitable for use with LV, MV and HV cables.
- » Few range accommodates wide range of cable diameter.
- » Plain finish - for indoor dry normal industrial use or outdoor unpolluted areas.
- » Epoxy coated for more hostile conditions.



## SPECIFICATIONS

Cable Type  
Material  
Continuous Operating Temperature  
Current Rating

Designed for all types of cables  
Aluminium  
– 60° C to + 100° C  
Recommended above 1KVA

## TECHNICAL AND ORDERING DATA

Part #	Cable Diameter	Cleat Details			
		A	B	C	D
ATFCSP:15-30	15-30	30	45	108	80
ATFCSP:30-45	30-45	30	66	151	120
ATFCSP:45-60	45-60	40	85	184	151
ATFCSP:60-75	60-75	40	114	226	193
ATFCSP:75-90	75-90	40	142	267	235
ATFCSP:90-107	90-107	50	171	319	282
ATFCSP:107-129	107-129	57	203	390	352
ATFCSP:129-155	129-155	57	244	455	397

- » Dimensions are displayed in millimeters unless otherwise stated.
- » Photographs are not a true representation of the product above.

**Disclaimer:** The dimensions provided are for guidance only and Simplex Cables reserves the right to change these without prior notification. For any critical application please contact the sales office to check the latest data.