

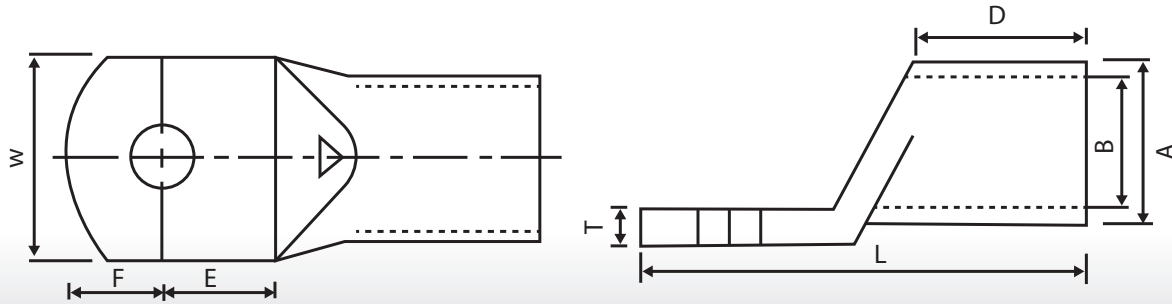
## CABLE LUGS

Our cable lugs range allows cable insertion to be handled efficiently for the opening of the conductor.

place itself rightly inside the surface area of the crimp.

**Inspection Hole:** The unique design of the inspection hole, helps the conductor to insert fully. The stopper at the end of the insertion allows the conductor to

**"Application:** Suitable for low & medium voltage switch gear & control panel."



## SPECIFICATIONS

### Standard Material

IEC 61238-1  
Manufactured from seamless copper (99.5% min.) tube conforming to BS EN 12449:2012

### Finish

Electro tin-plated conforming to BS EN 1872:1984

## TECHNICAL AND ORDERING DATA

Part #	Cond. Size	"Barrel O.D. 'A'	"Barrel I.D. 'B'	"Stud Hole Center 'E'"	Stud Hole Center To End of Palm 'F'	Palm Width 'W'	"Barrel Length 'D'	"Total Length 'L'	Thick-ness 'T'
1.5-3:SCUL	1.5	3.8	1.9	4.5	4.5	7	7	18	1.9
1.5-4:SCUL	1.5	3.8	1.9	7.5	4.5	7	7	21	1.9
1.5-5:SCUL	1.5	3.8	1.9	7.5	4.5	8	7	21	1.9
1.5-6:SCUL	1.5	3.8	1.9	7.5	4.5	9	7	22	1.9
2.5-3:SCUL	2.5	3.9	2.4	4	4.5	7	8	18.5	1.5
2.5-4:SCUL	2.5	3.9	2.4	7.5	4.5	7	8	22	1.5
2.5-5:SCUL	2.5	3.9	2.4	7.5	4.5	9	8	22	1.5
2.5-6:SCUL	2.5	3.9	2.4	7.5	5.5	9.5	8	23	1.5
2.5-8:SCUL	2.5	3.9	2.4	7.5	7.5	12	8	25	1.5
4-3:SCUL	4	4.7	2.8	4.5	4.5	7	8	19	1.9
4-4:SCUL	4	4.7	2.8	7.5	4.5	7	8	22	1.9
4-5:SCUL	4	4.7	2.8	7.5	4.5	8.5	8	22	1.9
4-6:SCUL	4	4.7	2.8	7.5	5.5	10	8	23	1.9
4-8:SCUL	4	4.7	2.8	10.5	6.5	13	8	27	1.9
4-10:SCUL	4	4.7	2.8	11.5	7.5	14	11	32	1.9
6-4:SCUL	6	5.3	3.4	7.5	4.5	7.5	8.5	23.5	1.9
6-5:SCUL	6	5.3	3.4	7.5	4.5	8.5	8.5	23.5	1.9

6-6:SCUL	6	5.3	3.4	7.5	5.5	9.5	9	25	1.9
6-8:SCUL	6	5.3	3.4	10	7	12	9	29	1.9
6-10:SCUL	6	5.3	3.4	12	8	15	11	34	1.9
10-6:SCUL	10	6.6	4.7	6.4	6	10	8	24.5	1.7
10-8:SCUL	10	6.6	4.7	8	7	13	9.5	30.5	1.2
10-10:SCUL	10	7.1	4.4	12	10	16	12	39.5	1.4
10-12:SCUL	10	7.1	4.4	12	10	18	10	10.5	1.2
16-6:SCUL	16	7.5	5.5	8.8	6.2	10.8	9.5	30	2
16-8:SCUL	16	7.5	5.5	8.8	6.2	13.5	9.5	30	1.6
16-10:SCUL	16	7.5	5.5	10.9	9.6	15	9.5	36	1.5
16-12:SCUL	16	8	5.6	12	10	18	11.5	42	1.3
25-6:SCUL	25	9.4	7	8.8	6.5	13.8	12	32.5	2.4
25-8:SCUL	25	9.4	7	8	7	13.8	12	32.5	2.4
25-10:SCUL	25	9.4	7	10.9	9.6	16	13	39.5	2.1
25-12:SCUL	25	9.4	7	10.5	10	18	12.5	39	1.7
35-6:SCUL	35	10.6	8.2	8.7	6.3	15.3	15	36.5	2.4
35-8:SCUL	35	10.6	8.2	7.6	7.3	15.3	15	36.5	2.4
35-10:SCUL	35	10.6	8.2	10.9	9.6	15.3	15	41	2.4
35-12:SCUL	35	10.6	8.2	10	10.4	18	15	41	2.4
50-6:SCUL	50	11.9	9.5	8.8	6.2	17.4	14.9	37.5	2.5
50-8:SCUL	50	11.9	9.5	8	7	17.4	14.9	37.5	2.5
50-10:SCUL	50	11.9	9.5	10.9	9.6	17.4	15.5	42.5	2.5
50-12:SCUL	50	11.9	9.5	10.7	9.8	17.4	15.5	42.5	2.5
70-6:SCUL	70	14.5	11.5	9	6.4	20.9	17	41.5	3
70-8:SCUL	70	14.5	11.5	8.6	6.4	20.9	17	40.5	3
70-10:SCUL	70	14.5	11.5	10.9	9.6	20.9	17.5	47	3
70-12:SCUL	70	14.5	11.5	10.7	9.8	20.9	17.5	46.5	3
70-16:SCUL	70	14.5	11.5	13	13	20.9	17	51	3
95-6:SCUL	95	16.7	13.5	10	9.2	24.4	19	50	3.2
95-8:SCUL	95	16.7	13.5	10.1	9.9	24.4	19	50	3.2
95-10:SCUL	95	16.7	13.5	10.9	9.6	24.4	19	50	3.2
95-12:SCUL	95	16.7	13.5	10.5	10	24.4	19	50	3.2
95-14:SCUL	95	16.7	13.5	13	13	24.4	19	58	3.2
95-16:SCUL	95	16.7	13.5	13	13	24.4	19	59	3.2
120-8:SCUL	120	19	15	14.4	9.6	27.3	20	55.5	4
120-10:SCUL	120	19	15	14.4	9.6	27.3	20	55.5	4
120-12:SCUL	120	19	15	14	10	27.3	20	56.5	4
120-16:SCUL	120	19	15	14	14	27.3	20	64	4
150-10:SCUL	150	21	16.5	14	10	30.2	23	61	4.5
150-12:SCUL	150	21	16.5	13	13	30.2	23	61	4.5

150-14:SCUL	150	21	16.5	13	13	30.2	23	61	4.5
150-16:SCUL	150	21	16.5	13	13	30.2	23	65	4.5
185-10:SCUL	185	23	18.5	14.8	9.2	33.3	29	66.5	4.36
185-12:SCUL	185	23	18.5	15.5	9.2	33.3	29	68	4.5
185-14:SCUL	185	23	18.5	15.5	9.2	33.3	29	67	4.5
185-16:SCUL	185	23	18.5	13	13	33.3	29	70	4.5
240-10:SCUL	240	26	21	18	17	37.7	39	88	5
240-12:SCUL	240	26	21	18	17	37.7	40	88.5	5
240-14:SCUL	240	26	21	18	17	37.7	40	88	5
240-16:SCUL	240	26	21	18	17	37.7	40	88	5
240-20:SCUL	240	26	21	18	17	37.7	40	88	5
300-10:SCUL	300	28	23	18	17	41	37	97	5
300-12:SCUL	300	28	23	18	17	41	37	97	5
300-14:SCUL	300	28	23	18	17	41	37	97	5
300-16:SCUL	300	28	23	18	17	41	37	97	5
300-20:SCUL	300	28	23	18	17	41	37	97	5
400-10:SCUL	400	32	27	22	22	47.3	38	108	5
400-12:SCUL	400	32	27	22	22	47.3	38	108	5
400-14:SCUL	400	32	27	22	22	47.3	38	108	5
400-16:SCUL	400	32	27	22	22	47.3	38	108.5	5
400-20:SCUL	400	32	27	22	22	47.3	38	108	5
500-10:SCUL	500	36	30	28	24	53	38	117	6.9
500-12:SCUL	500	36	30	28	24	53	38	117	6.9
500-14:SCUL	500	36	30	28	24	53	38	117	6.9
500-16:SCUL	500	36	30	28	24	53	38	117.5	6.9
500-20:SCUL	500	36	30	28	24	53	38	117	6.9
630-16:SCUL	630	45	34	23	25.1	63.3	48	130.5	10
630-20:SCUL	630	45	34	23	25.1	63.3	48	130.5	10
630-BL:SCUL	630	45	34	23	25.1	63.3	48	130.5	10
800-BL:SCUL	800	49	38	-	-	70	65	172	11

HT/BM Cable Lugs Available based on request

- » Dimensions are displayed in millimeters unless otherwise stated.
- » Photographs are not a true representation of the product above.

**Disclaimer:** Disclaimer: The dimensions provided are for guidance only and Simplex Cables reserves the right to change these without prior notification. For any critical application please contact the sales office to check the latest data.